

# SYPP 4

Dispenses up to 8 flavours with hot/cold/sparkling water

- > Flexible menu creation
- > Accurate portion control
- > Reduced waste & increased profitability
- > Consistent and quick service
- > Connect between 4 to 8 syrups\*
- > Compatible with FRIIA Chiller/Carbonator and MIX Boiler

## SYPP HEAD 1000915



## SET-UP

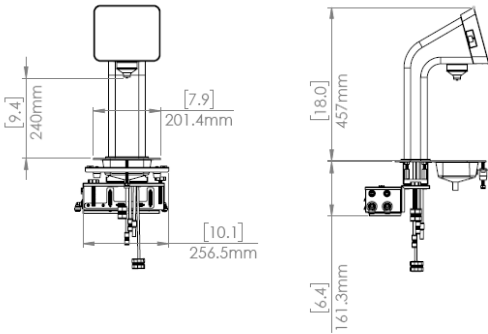


## SYPP 4

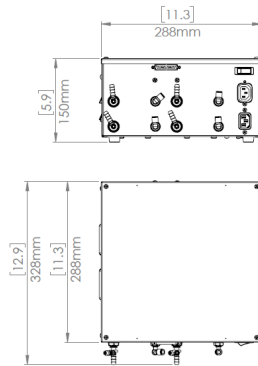
BUNDLE	ITEMS INCLUDED	
SYPP 4 5000915	SYPP Head	1000915
	SYPP Pump Box	1000910
<b>TO SCALE TO 8 FLAVOURS</b>		
ADD:	SYPP Pump Box	1000910
<b>OPTIONAL</b>	4 Container Rack x 2	1000920

## DIMENSIONS

SYPP Head 1000915



SYPP Pump Box 1000910



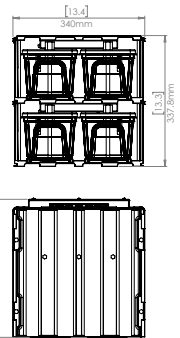
## OPTIONAL ADD ONS

SYPP 4 CONTAINER RACK  
1000920

CHILLED/SPARKLING BEVERAGE:

FRIIA CHILLER/  
CARBONATOR  
1000052/1000053

HOT BEVERAGE:  
MIX UC3  
1000800



356d x 340w x 337h

## SPECS

PRODUCT INFO	SIZE		PLUMBING, ELECTRICAL AND TECHNICAL SPECS				
	NAME ORDER CODE	DIMS (D X W X H mm)	TAP TO TRAY (H)	PLUMBING	ELECTRICAL MAINS	MAX POWER	DRAIN REQ'D
SYPP Head 1000915	371 x 256 x 618* (457 h over counter) *(overall size including tubing, brackets flow meter box etc)	240	Fit a push-fit 3/8" on cold water line. Water inlet pressure (min - max) - .01 - .05 MPa (14.5 - 70 psi)	Font powered by pump box			Y
SYPP Pump Box 1000910	328 x 288 x 150	-	-	BS1363 (IRL&UK), CEE7 (EU), NEMA 515P (US) plug to C13 IEC	120 -230V 50/60Hz 150W	150W per box	-

## SYPP CAN DISPENSE:

Syrups (up to honey)	✓	Purees	✗
Alt Milks	✓	Dairy Milk	✗
Juice	✓		

## COMPATIBLE WITH:

Non pressurised vessels;  
SYPP Containers, BIBs, Tetra-packs,  
Bottles, Urns.

\*8 syrups require additional pump box