



2024 / GLOBAL
PRODUCT GUIDE



A barista wearing a red apron is pouring coffee into a glass. The background is a blurred bar setting with various glasses on a tray.

marco

RE-IMAGINE BEVERAGE EXCELLENCE EVERYWHERE

We design and manufacture innovative and energy-efficient beverage dispense solutions for the global hospitality, foodservice and speciality beverage industries.

We collaborate with our industry to re-imagine a sustainable future and create excellent beverage experiences everywhere.

CONTENTS

SUITABLE APPLICATIONS		1
<hr/>		
HOT, COLD, SPARKLING WATER	Choosing FRIIA or FRIIA Lite	3
	FRIIA	5
	Cold & Hands-Free Cold	5
	Cold/Sparkling	6
	Hot/Cold	7
	Hot/Cold/Sparkling	8
	FRIIA Lite	12
	Cold/Sparkling	12
	Hot/Cold	13
	Hot/Cold/Sparkling	14
<hr/>		
COLD COFFEE, CONCENTRATES & FLAVOURS	ColdBRU	17
	POUR'D 3b Concentrate	18
<hr/>		
HOT WATER	Undercounter Boilers & Fonts	20
	1b Una Font with MIX UC3/MIX UC8	21
	3b MIX Font with MIX UC3/MIX UC8	22
	Countertop Push Button	24
	MIX PB3, PB8	25
	Countertop Tap	26
	MT4, MT8, MT8F, MTDT, MT25, MT30	27
	Ecoboiler T5, T10, T20, T30	28
<hr/>		
COFFEE	BRU F45M, BRU F60M	30
	Jet, Jet Twin, Jet Grinder	31
	SP9 Single, SP9 Twin	32
<hr/>		
CONTACT DETAILS		33
<hr/>		

SUITABLE APPLICATIONS



CAFE



HOTEL



OFFICE



CONVENIENCE
/FORECOURT



RESTAURANTS



TRANSPORT/
INSTITUTIONS

HOT, COLD, SPARKLING, WATER



CHOOSING FRIIA OR FRIIA LITE

FRIIA



HOTELS



OFFICES



TRANSPORT



INSTITUTIONS

- > Cold and/or sparkling: 35-40 L/hour
- > External CO₂ required

- > No built-in filtration
- > Aluminium block cooling technology

FRIIA C

C HANDS-FREE COLD



Hands-free
Font
1000857

1b Font 1000859
1b Font Tall 1000858

FRIIA CS

COLD/SPARKLING



2b Font 1000868
2b Font Tall 1000869

FRIIA HC

HOT/COLD



2b Font
1000868

FRIIA HCS

HOT/COLD/SPARKLING



3b Font
1000862



CHILLER
1000860



CHILLER/CARBONATOR
1000861



CHILLER
1000860



CHILLER/CARBONATOR
1000861

OR



MIX UC3
1000880



MIX UC8
1000887

CHOOSING FRIIA OR FRIIA LITE

FRIIA LITE



CAFES



SMALL OFFICES

- > Cold and/or sparkling: 12 L/hour
- > Choice of internal 60L CO₂ cannister or external CO₂
- > Built-in cold water filtration
- > Ice bank cooling technology

FRIIA LITE CS

COLD/SPARKLING



2b Font
1000868

2b Font Tall
1000869

FRIIA LITE HC

HOT/COLD



2b Font
1000868

FRIIA LITE HCS

HOT/COLD/SPARKLING



3b Font
1000862



LITE CHILLER/CARBONATOR
1000202



LITE CHILLER
1000201



LITE CHILLER/CARBONATOR
1000202

OR



MIX UC3
1000880



MIX UC8
1000887

FRIIA C & FRIIA C HANDS-FREE

A stylish, flexible undercounter cold water system for higher-volume sites, such as hotels, cafes, or offices.

- > Two font heights available
- > 35-40 litres per hour



COMPLETE BUNDLE ORDER CODE



FRIIA C	5000860
FRIIA C Tall	5000863
FRIIA C Hands-free Tall	5000857

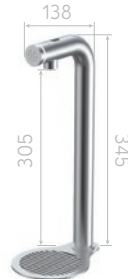
1B UNA FONT 1000859



1B UNA FONT TALL 1000858



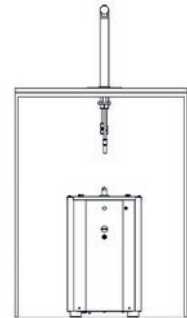
FRIIA C HANDS FREE TALL 1000857



CHILLER 1000860



SYSTEM SET-UP



CHILLER SPECS

PRODUCT INFO	SIZE	PERFORMANCE SPECS		PLUMBING, ELECTRICAL AND TECHNICAL SPECS				
NAME ORDER CODE	DIMENSIONS (D X W X H mm)	L/HR	CUPS /HR	POWER @220v	PLUMBING REQS	COMPRESSOR POWER	CHARGE	REFRIGERANT
Chiller 1000860	436 x 259 x 455	30-40l/hr based on incoming water temp of 15°C and output water temp of 5-7°	175-235 ($\Delta T = 10^\circ C$)	180 W	3/4" BSP	1/8hp	45g	R290

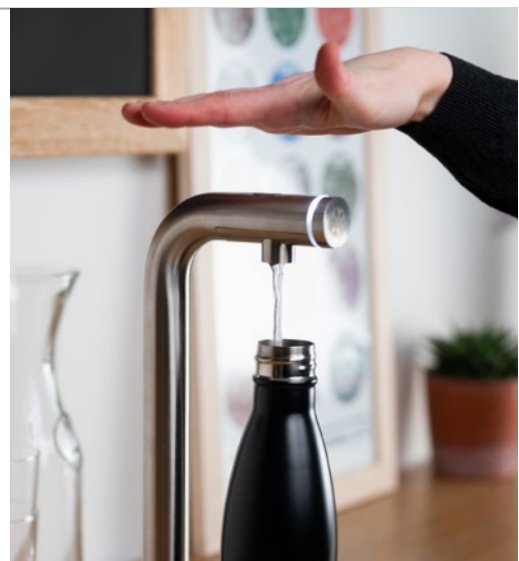
A minimum operating pressure of 2 bar or 28 psi downstream of filter is required for optimum output l/min.

FONT SPECS

NAME ORDER CODE	DIMENSIONS INC. DRIP TRAY (D X W X H mm)	DIMENSIONS EXCL. DRIP TRAY (D X W X H mm)	TAP TO COUNTER (mm)
1b Una Font 1000859	168 x 120 x 287	138 x 30 x 287	233
1b Una Font Tall 1000858	168 x 120 x 345	138 x 30 x 345	291
FRIIA C Hands-free Font 1000857			305

PACKAGING

NAME	PACKAGING DIMENSIONS (L X W X H mm)	WEIGHT
Fonts (all)	290 x 570 x 215	1.65kg
Chiller	500 x 320 x 520	35kg



PLEASE NOTE

FRIIA components (font and chiller) are packed and shipped in individual boxes.

FRIIA CS

A stylish, flexible undercounter cold/sparkling water system for higher-volume sites, such as hotels, cafes, or offices.

> Two font heights available > 35-40 litres per hour



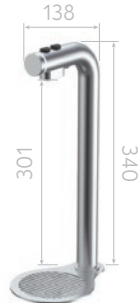
COMPLETE BUNDLE ORDER CODE

FRIIA CS 5000862
FRIIA CS Tall 5000865

2B FONT 1000868



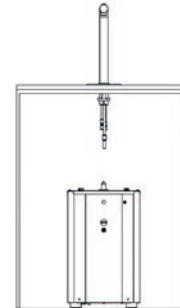
2B FONT TALL 1000869



CHILLER/ CARBONATOR 1000861



SYSTEM SET-UP



CHILLER/CARBONATOR SPECS

PRODUCT INFO		SIZE	PERFORMANCE SPECS		PLUMBING, ELECTRICAL AND TECHNICAL SPECS				
NAME ORDER CODE	DIMENSIONS (D X W X H mm)		L/HR	CUPS /HR	POWER @220v	PLUMBING REQS	COMPRESSOR POWER	CHARGE	REFRIGERANT
Chiller/Carbonator 1000861	436 x 259 x 455		30-40l/hr based on incoming water temp of 15°C and output water temp of 5-7°	175-235 ($\Delta T = 10^\circ C$)	180 W	3/4" BSP	1/8hp	45g	R290

A minimum operating pressure of 2 bar or 28 psi downstream of filter is required for optimum output l/min.

FONT SPECS

NAME ORDER CODE	DIMENSIONS INC. DRIP TRAY (D X W X H mm)	DIMENSIONS EXCL. DRIP TRAY (D X W X H mm)	TAP TO COUNTER (mm)
2b Font 1000868	168 x 120 x 286	138 x 30 x 286	247
2b Font Tall 1000869	168 x 120 x 340	138 x 30 x 340	301

PACKAGING

NAME	PACKAGING DIMENSIONS (L X W X H mm)	WEIGHT
Fonts (all)	290 x 570 x 215	1.65kg
Chiller/Carbonator	500 x 320 x 520	35kg

PLEASE NOTE

FRIIA components (font and chiller) are packed and shipped in individual boxes. FRIIA Sparkling variants require food-grade CO₂ (not supplied by Marco).



FRIIA HC

A stylish, flexible undercounter hot/cold water system for higher-volume sites, such as hotels, cafes, or offices.

> **Hot:** 28 litres per hour > **Cold:** 35-40 litres per hour



COMPLETE BUNDLE ORDER CODE

FRIIA HC 5000862
FRIIA HC Plus 5000865

2B FONT 1000868



CHILLER 1000860



MIX UC3 1000880

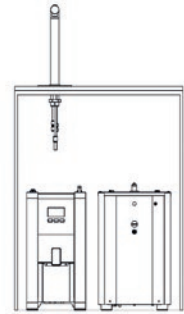


OR

MIX UC8 1000887



SYSTEM SET-UP



CHILLER SPECS

PRODUCT INFO		SIZE	PERFORMANCE SPECS		PLUMBING, ELECTRICAL AND TECHNICAL SPECS				
NAME ORDER CODE	DIMENSIONS (D X W X H mm)		L/HR	CUPS /HR	POWER @220v	PLUMBING REQS	COMPRESSOR POWER	CHARGE	REFRIGERANT
Chiller 1000860	436 x 259 x 455		30-40l/hr based on incoming water temp of 15°C and output water temp of 5-7°	175-235 (ΔT = 10 °C)	180 W	3/4" BSP	1/8hp	45g	R290

A minimum operating pressure of 2 bar or 28 psi downstream of filter is required for optimum output l/min.

BOILER SPECS

PRODUCT INFO		SIZE	PERFORMANCE SPECS			PLUMBING & ELECTRICAL REQ	
NAME ORDER CODE	DIMENSIONS (D X W X H mm)		IMMEDIATE DRAW OFF	L/HR	CUPS/HR	POWER @220v	PLUMBING REQS
MIX UC3 1000880	385 x 210 x 444		3L	28L	156	2.8kW	3/4" BSP
MIX UC8 1000887	385 x 210 x 617		8L				

FONT SPECS

NAME ORDER CODE	DIMENSIONS INC. DRIP TRAY (D X W X H mm)	DIMENSIONS EXCL. DRIP TRAY (D X W X H mm)	TAP TO COUNTER (mm)
2b Font 1000868	168 x 120 x 286	138 x 30 x 286	247

PACKAGING

NAME	PACKAGING DIMENSIONS (L X W X H mm)	WEIGHT
Font	290 x 570 x 215	1.65kg
Chiller	500 x 320 x 520	35kg
MIX UC3	450 x 290 x 540	11kg
MIX UC8	450 x 290 x 700	14kg

PLEASE NOTE

FRIIA components (font, boiler and chiller) are packed and shipped in individual boxes.

FRIIA HCS

A stylish, flexible undercounter water range for higher-volume sites, such as hotels, cafes, or offices.

> Hot: 28 L/hr > Cold/Sparkling: 35-40 L/hr



**COMPLETE BUNDLE
ORDER CODE**

FRIIA HCS 5000865
FRIIA HCS Plus 5000867

3B FONT
1000862



**CHILLER/
CARBONATOR**
1000861



MIX UC3
1000880

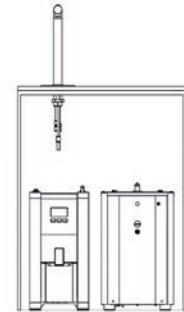


OR

MIX UC8
1000887



SYSTEM SET-UP



CHILLER/CARBONATOR SPECS

PRODUCT INFO	SIZE	PERFORMANCE SPECS		PLUMBING, ELECTRICAL AND TECHNICAL SPECS				
NAME ORDER CODE	DIMENSIONS (D X W X H mm)	L/HR	CUPS /HR	POWER @220v	PLUMBING REQS	COMPRESSOR POWER	CHARGE	REFRIGERANT
Chiller/Carbonator 1000861	436 x 259 x 455	30-40/hr based on incoming water temp of 15°C and output water temp of 5-7°	175-235 ($\Delta T = 10^\circ C$)	180 W	3/4" BSP	1/8hp	45g	R290

A minimum operating pressure of 2 bar or 28 psi downstream of filter is required for optimum output l/min.

BOILER SPECS

PRODUCT INFO	SIZE	PERFORMANCE SPECS			PLUMBING & ELECTRICAL REQS	
NAME ORDER CODE	DIMENSIONS (D X W X H mm)	IMMEDIATE DRAW OFF	L/HR	CUPS/HR	POWER @220v	PLUMBING REQS
MIX UC3 1000880	385 x 210 x 444	3L	28L	156	2.8kW	3/4" BSP
MIX UC8 1000887	385 x 210 x 617	8L				

FONT SPECS

NAME ORDER CODE	DIMENSIONS INC. DRIP TRAY (D X W X H mm)	DIMENSIONS EXCL. DRIP TRAY (D X W X H mm)	TAP TO COUNTER (mm)
3b Font 1000862	168 x 120 x 286	138 x 30 x 286	247

PACKAGING

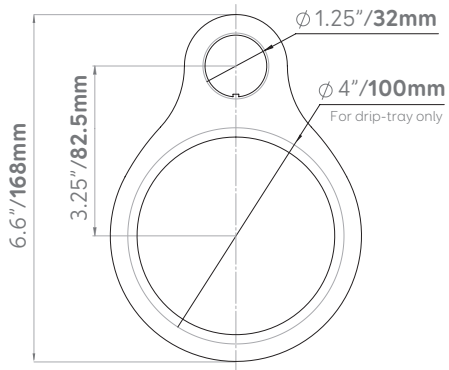
NAME	PACKAGING DIMENSIONS (L X W X H mm)	WEIGHT
Font	290 x 570 x 215	1.65kg
Chiller/Carbonator	500 x 320 x 520	35kg
MIX UC3	450 x 290 x 540	11kg
MIX UC8	450 x 290 x 700	14kg

PLEASE NOTE

FRIIA components (font, boiler and chiller) are packed and shipped in individual boxes. FRIIA Sparkling variants require either an internal CO₂ canister (we recommend SodaStream 60L) or an external food grade CO₂ with regulator.

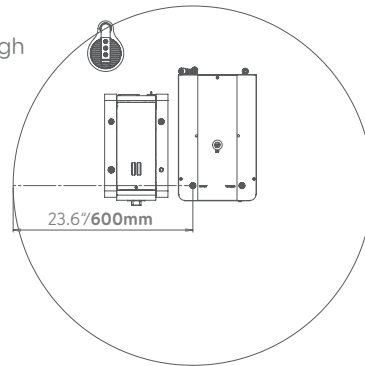
FRIIA SYSTEM OVERVIEW

COUNTER CUT-OUTS



RADIUS OF MAXIMUM FRONT PLACEMENT

Standard 800mm high cabinet



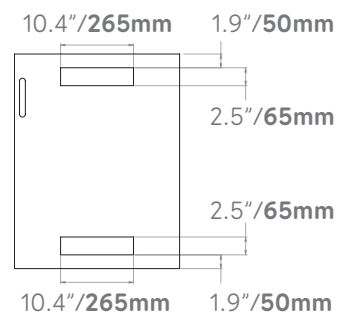
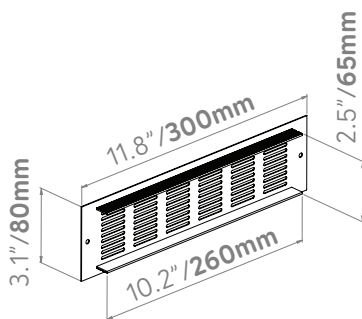
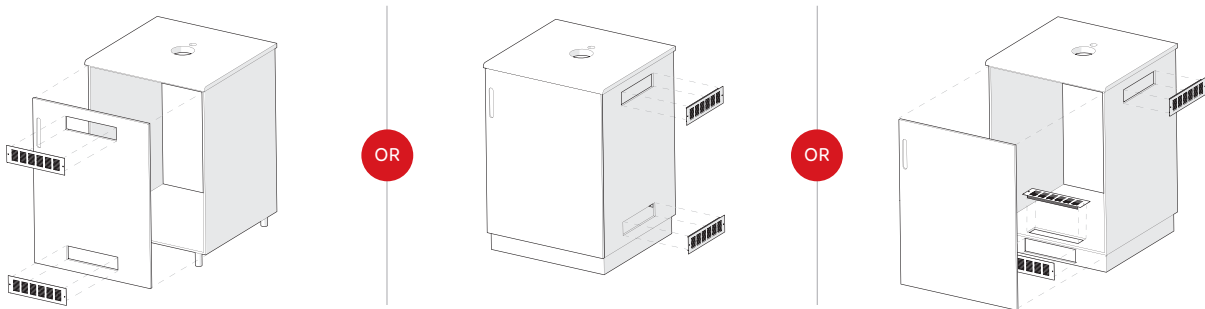
CABINET

Min: 800mm (h) x 600mm (w) x 600mm (d) with 100mm clearance around machines all sides

OPERATING ENVIRONMENT

Cannot exceed temperature of 35°C.

VENTILATION



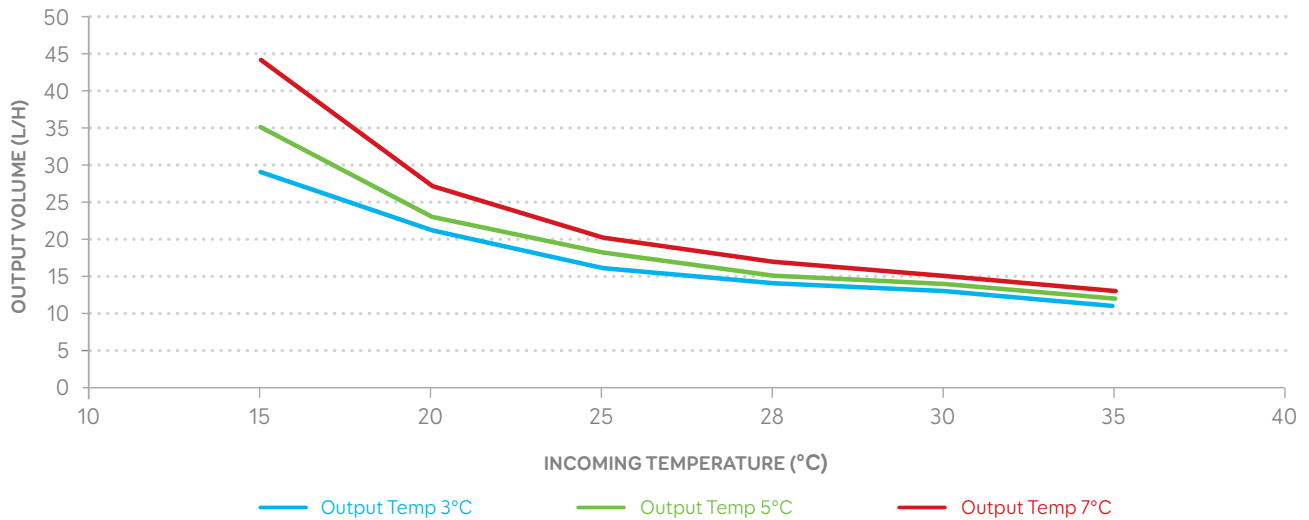
PLEASE NOTE

It is essential to allow for two ventilation points when installing FRIIA. Vents are not supplied. Where possible, we recommend removing the back of your cabinet.

FRIIA PERFORMANCE & MAINTENANCE

FRIIA OUTPUT VOLUME

Based on flow rate of 1.4L/min and ambient temperature of 20-25°C. Chart indicates FRIIA chilling capacity based on incoming water temperature and desired output water temperature.



SANITISATION ACCESSORIES

Sanitisation Kit: Internal Water Cooler Sanitising Solution 1L + Chiller Best Service Cartridge	8000900
Internal Water Cooler Sanitising Solution 1L	8800125
Scaleclean 1kg Descaler (5 uses)	8000260
Chiller Best Service Cartridge	8000522
Scaleclean 200g Descaler (1 use)	8000270

HOW TO CLEAN FRIIA

- > Wipe down front daily with non-abrasive cleaner.
- > Sanitise the system every 6 months, after a filter change or after a period of inactivity (more than 72 hours)

MAINTENANCE

- > We recommend use of both HOT (scale reducing filter if limescale is present) and COLD (carbon block for taste and odour) water filters for FRIIA. Please contact us for advice on the best water filter.
- > Descale the MIX boiler if scale is present in the water.



FRIIA LITE CS

Sleek, stylish cold/sparkling water system for lower-volume sites, such as a small office.

- > 12 litres per hour
- > In-built water filter
- > Internal or external CO₂
- > Two font heights available



**COMPLETE BUNDLE
ORDER CODE**

FRIIA Lite CS 5000206
FRIIA Lite CS Tall 5000207

2B FONT 1000868



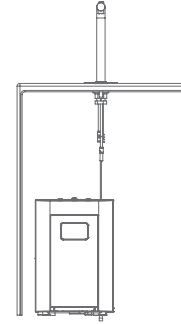
2B FONT TALL 1000869



LITE CHILLER/ CARBONATOR 1000202



SYSTEM SET-UP



CHILLER/CARBONATOR SPECS

PRODUCT INFO		SIZE	PERFORMANCE SPECS		PLUMBING, ELECTRICAL AND TECHNICAL SPECS		
NAME ORDER CODE	DIMENSIONS (D X W X H mm)	L/HR	CUPS /HR	POWER	PLUMBING REQS	COMPRESSOR POWER	REFRIGERANT
FRIIA Lite Chiller/Carbonator 1000202	468 x 279 x 420	12L/hr based on incoming water temp of 15°C and output water temp of 5-7°	60	230V	3/4" BSPM Working Water Pressure: 1 Bar (14.5psi) to 4 Bar (58psi)	129W	R600a/35g

A minimum operating pressure of 2 bar or 28 psi downstream of filter is required for optimum output l/min.

FONT SPECS

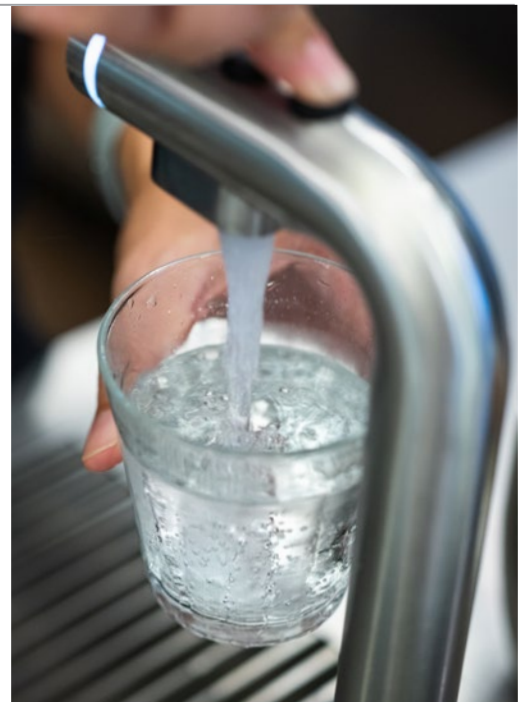
NAME ORDER CODE	DIMENSIONS INC. DRIP TRAY (D X W X H mm)	DIMENSIONS EXCL. DRIP TRAY (D X W X H mm)	TAP TO COUNTER (mm)
2b Font 1000868	168 x 120 x 286	138 x 30 x 286	247
2b Font Tall 1000869	168 x 120 x 340	138 x 30 x 340	301

PACKAGING

NAME	PACKAGING DIMENSIONS (L X W X H mm)	WEIGHT
Font	290 x 570 x 215	1.65kg
Chiller/Carbonator	590 x 385 x 520	21.2kg

PLEASE NOTE

FRIIA Lite components (font and chiller) are packed and shipped in individual boxes. FRIIA Lite Sparkling variants require either an internal CO₂ canister (we recommend SodaStream 60L) or an external food grade CO₂ with regulator.



FRIIA LITE HC

Sleek, stylish hot/cold water system for lower-volume sites, such as a small office.

- > **Hot:** 28 L/hr > In-built water filter
- > **Cold:** 12 L/hr > Award-winning hot water boiler



**COMPLETE BUNDLE
ORDER CODE**

FRIIA Lite HC 5000862

2B FONT 1000868



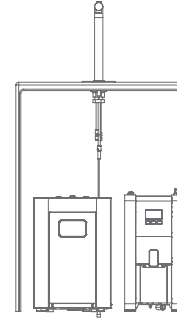
LITE CHILLER 1000201



MIX UC3 1000880



SYSTEM SET-UP



CHILLER SPECS

PRODUCT INFO		SIZE	PERFORMANCE SPECS		PLUMBING, ELECTRICAL AND TECHNICAL SPECS			
NAME ORDER CODE	DIMENSIONS (D X W X H mm)		L/HR	CUPS /HR	POWER	PLUMBING REQS	COMPRESSOR POWER	REFRIGERANT
FRIIA Lite Chiller 1000201	468 x 279 x 420		12L/hr based on incoming water temp of 15°C and output water temp of 5-7°	60	230V	3/4" BSPM Working Water Pressure: 1 Bar (14.5psi) to 4 Bar (58psi)	129W	R600a/35g

A minimum operating pressure of 2 bar or 28 psi downstream of filter is required for optimum output l/min.

BOILER SPECS

PRODUCT INFO		SIZE	PERFORMANCE SPECS			PLUMBING & ELECTRICAL REQS	
NAME ORDER CODE	DIMENSIONS (D X W X H mm)		IMMEDIATE DRAW OFF	L/HR	CUPS/HR	POWER @220v	PLUMBING REQS
MIX UC3 1000880	385 x 210 x 444		3L	28L	156	2.8kW	3/4" BSP

FONT SPECS

NAME ORDER CODE	DIMENSIONS INC. DRIP TRAY (D X W X H mm)	DIMENSIONS EXCL. DRIP TRAY (D X W X H mm)	TAP TO COUNTER (mm)
2b Font 1000868	168 x 120 x 286	138 x 30 x 286	247

PACKAGING

NAME	PACKAGING DIMENSIONS (L X W X H mm)	WEIGHT
Font	290 x 570 x 215	1.65kg
Chiller	590 x 385 x 520	21.2kg
MIX UC3	450 x 290 x 540	11kg

PLEASE NOTE

FRIIA Lite components (font, boiler and chiller) are packed and shipped in individual boxes.

FRIIA LITE HCS

Sleek, stylish hot, cold, sparkling water system for lower-volume sites, such as a small office.

- > **Hot:** 28 L/hr
- > **Cold:** 12 L/hr
- > In-built water filter
- > Internal or external CO₂



**COMPLETE BUNDLE
ORDER CODE**

FRIIA Lite HCS 5000865

3B FONT 1000862



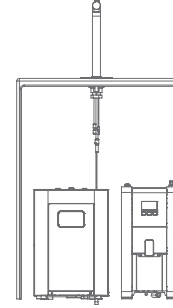
LITE CHILLER/ CARBONATOR 1000202



MIX UC3 1000880



SYSTEM SET-UP



CHILLER/CARBONATOR SPECS

PRODUCT INFO	SIZE	PERFORMANCE SPECS		PLUMBING, ELECTRICAL AND TECHNICAL SPECS			
NAME ORDER CODE	DIMENSIONS (D X W X H mm)	L/HR	CUPS /HR	POWER	PLUMBING REQS	COMPRESSOR POWER	REFRIGERANT
FRIIA Lite Chiller/Carbonator 1000202	468 x 279 x 420	12L/hr based on incoming water temp of 15°C and output water temp of 5-7°	60	230V	3/4" BSPM Working Water Pressure: 1 Bar (14.5psi) to 4 Bar (58psi)	129W	R600a/35g

A minimum operating pressure of 2 bar or 28 psi downstream of filter is required for optimum output l/min.

BOILER SPECS

PRODUCT INFO	SIZE	PERFORMANCE SPECS			PLUMBING & ELECTRICAL REQS	
NAME ORDER CODE	DIMENSIONS (D X W X H mm)	IMMEDIATE DRAW OFF	L/HR	CUPS/HR	POWER @220v	PLUMBING REQS
MIX UC3 1000880	385 x 210 x 444	3L	28L	156	2.8kW	3/4" BSP

FONT SPECS

NAME ORDER CODE	DIMENSIONS INC. DRIP TRAY (D X W X H mm)	DIMENSIONS EXCL. DRIP TRAY (D X W X H mm)	TAP TO COUNTER (mm)
3b Font 1000862	168 x 120 x 286	138 x 30 x 286	247

PACKAGING

NAME	PACKAGING DIMENSIONS (L X W X H mm)	WEIGHT
Fonts (all)	290 x 570 x 215	1.65kg
Chiller/Carbonator	590 x 385 x 520	21.2kg
MIX UC3	450 x 290 x 540	11kg

PLEASE NOTE

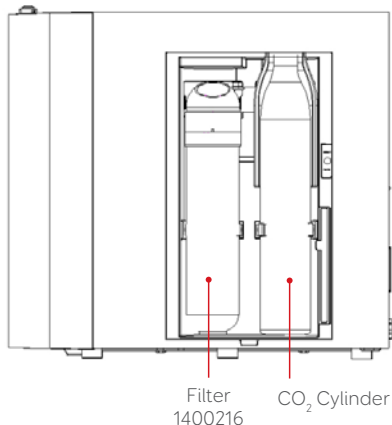
FRIIA Lite components (font, boiler and chiller) are packed and shipped in individual boxes. FRIIA Lite Sparkling variants require either an internal CO₂ canister (we recommend SodaStream 60L) or an external food grade CO₂ with regulator.

FRIIA LITE ACCESSORIES & MAINTENANCE

CO₂ SPECS

FRIIA Lite can be used with an internal or external CO₂ canister.

A compatible gas cylinder is the **SodaStream 60L** cylinder.



FILTER SPECS

NAME ORDER CODE	FLOW RATE	WORKING PRESSURE	TEMPERATURE	MAX PURIFIED WATER CAPACITY	PH RANGE	APPLICABLE INLET WATER
PAC Sediment & Carbon Cold Water Filter 1400216	3L/min	0.1-0.4MPa	4-38°C	3600L or 6 months	5-10	TDS below 350 ppm

SANITISATION ACCESSORIES

Internal Water Cooler Sanitising Solution 1L	8800125
Scaleclean 1kg Descaler (5 uses)	8000260
Scaleclean 200g Descaler (1 use)	8000270

For use with External BWT Filter	
Sanitisation Kit: Internal Water Cooler Sanitising Solution 1L	8000900
Chiller Best Service Cartridge	8000522

For use with Internal PAC Filter	
FRIIA Lite Sanitising Kit	8000889
Contains: FRIIA Lite Filter Blank	8000888
Instruction Booklet for the FRIIA Lite Sanitisation Kit	1900961
Syringe 100ml	1699995

FRIIA LITE MAINTENANCE

- > Wipe down front daily with non-abrasive cleaner.
- > Sanitise the system every 6 months, after a filter change or after a period of inactivity (more than 72 hours).



DISPENSE CYCLE
COMPLETE
Esc

COLD COFFEE /BEVERAGE DISPENSE

COLDBRU

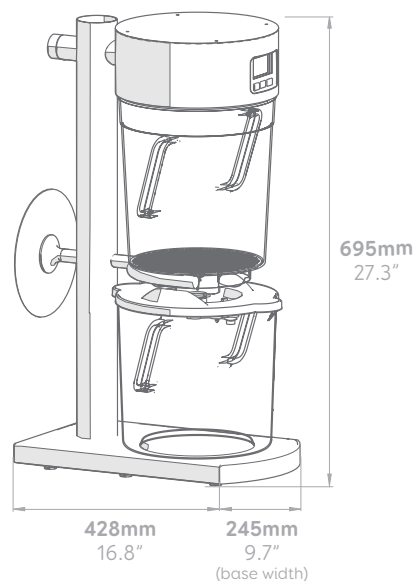
The quickest, easiest, most consistent way to brew ready-to-drink or concentrate coffee.

- > Average 19% extraction and 4% TDS (up to 30% better yield than leading competitor)
- > Easy to clean with no paper filters
- > Average brew time of 3 hours
- > Input and save up to 3 recipes for ease and consistency

COLDBRU
1000950



DIMENSIONS



SPECS

NAME ORDER CODE	DIMENSIONS INCL. HANDLES (D x W x H mm)	PLUMBING REQS	POWER REQS	WEIGHT
ColdBRU 1000950	428 x 323 x 695	1/4" Pushfit or 3/4" BSP Female	230V 50/60Hz	11 kg

PACKAGING

NAME ORDER CODE	PACKAGING DIMENSIONS (D x W x H mm)	PACKED WEIGHT	QTY / PALLET
ColdBRU 1000950	490 x 400 x 900	12.2kg	6

POUR'D

Total beverage choice, on tap

- > POUR'D can be used to dispense beverages from any concentrate or syrup source.

**COMPLETE BUNDLE
ORDER CODE**

POUR'D Concentrate 3b
5000940C3B



FONT



CONTROL BOX



OPTIONAL

BOILER

MIX UC3



- > To dilute with hot water
- > To add separate hot water

CHILLER / CARBONATOR

FRIIA



FRIIA LITE




- > To dilute with either chilled or sparkling water
- > To add separate chilled or sparkling water

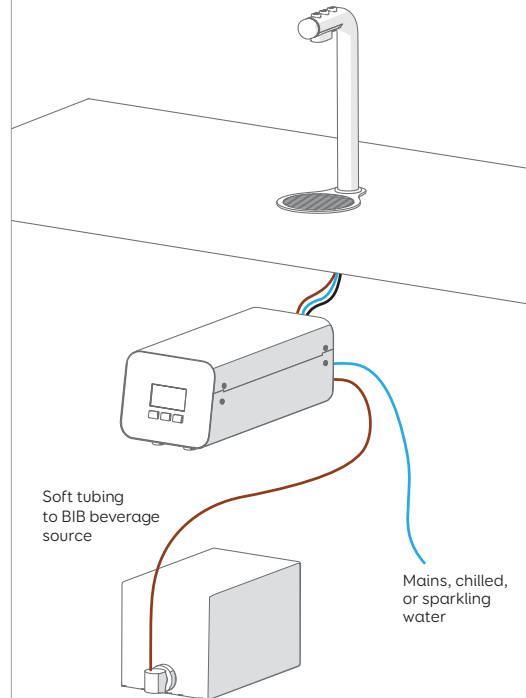


RECOMMENDED DILUTION RATIOS

 5:1
Hot

 1:1 - 30:1
Cold/Sparkling

POUR'D SET-UP



GOOD TO KNOW

POUR'D can be used with:
Concentrates & Syrups with
Max Viscosity of 700 CPS

Minimum 4ml concentrate
to 125ml final beverage

POUR'D SPECS

	OPTIONAL				
	FONT	CONTROL BOX	BOILER	CHILLER / CARBONATOR	
	3B POUR'D FONT 1000942	POUR'D Control Box 1000944	MIX UC3 1000880	FRIIA 1000860 / 1000861	FRIIA Lite 1000201 / 1000202
Dimensions (D x W x H mm)	168 x 125 x 287 (Incl. drip tray)	399 x 157 x 140 (width not including tubing)	385 x 210 x 444	436 x 259 x 455	468 x 279 x 420
Power	—	230v 40W	230V 2.8kW	230V 200W	230V 220W
Plumbing	—	3/4" BSP	3/4" BSP	3/4" BSP	3/4" BSPM
L/HR	—	126L	28L	30-40/hr based on incoming water temp of 15°C and output water temp of 5-7°	12L/hr based on incoming water temp of 15°C and output water temp of 5-7°
Performance Specs	—	Dilution Range: 1:1 - 30:1	Immediate Draw Off: 3L	Cups/HR: 175-235 (ΔT = 10 °C)	Cups/HR: 60
Compressor Power	—	—	—	1/8hp	129 W
Charge	—	—	—	45g	35g
Refrigerant	—	—	—	R290	R600a/35g

PACKAGING

ITEM	PACKAGING DIMENSIONS (L x W x H mm)	WEIGHT	QTY / PALLET
Font	290 x 570 x 215	2kg	54
Control Box	419 x 260 x 330	5.6kg	48/36 (sea/air freight)
MIX UC3	450 x 290 x 540	11kg	24
FRIIA Chiller/Carbonator	590 x 385 x 520	35kg	5
FRIIA Lite Chiller/Carbonator	590 x 385 x 520	21.2kg	

POUR'D CAN DILUTE/DISPENSE:

Non-Dairy Milks	✓	Dairy Milk	✗
Syrups	✓	Thick Syrup/Molasses (>700 CPS)	✗
Concentrates	✓	Kombucha	✗
Juice (no pulp, <700 CPS)	✓	Powder	✗
RTD Cold Drinks	✓	RTD Hot Drinks	✗

HOT WATER

UNDERCOUNTER BOILERS



MIX UNDERCOUNTER HOT WATER WITH UNA FONT

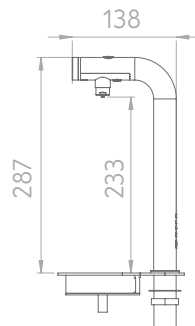
> Space-saving countertop font

> Vacuum insulated tank for up to 70% more energy-efficiency

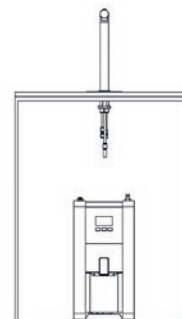
1B UNA FONT 1000859



DIMENSIONS



SYSTEM SET-UP



MIX UC3 1000880



MIX UC8 1000887



OR

FONT SPECS

NAME ORDER CODE	DIMENSIONS INCL. DRIP TRAY (D x W x H mm)	DIMENSIONS EXCL. DRIP TRAY (D x W x H mm)	TAP TO COUNTER (T mm)
1b Una Font 1000859	168 x 120 x 287	138 x 30 x 287	233

BOILER SPECS

PRODUCT INFO	WATER TYPE	SIZE DIMENSIONS	PERFORMANCE SPECS			PLUMBING & ELECTRICAL REQS	
NAME ORDER CODE	ADJUSTABLE TEMP	DIMENSIONS (D x W x H mm)	IMMEDIATE DRAW OFF	L/HR	CUPS /HR	POWER @220v	PLUMBING REQS
MIX UC3 1000880	Y	385 x 210 x 444	3L	28L	156	2.8kW	3/4" BSP
MIX UC8 1000887		385 x 210 x 617	8L				

PACKAGING

NAME ORDER CODE	PACKAGING DIMENSIONS (L x W x H mm)	PACKED WEIGHT	QTY / PALLET
1b Una Font 1000859	290 x 570 x 215	1.65kg	30
MIX UC3 1000880	450 x 290 x 540	11kg	24
MIX UC8 1000887	450 x 290 x 700	14kg	18

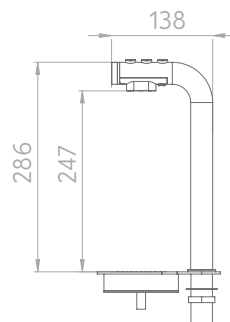
MIX UNDERCOUNTER HOT WATER WITH 3B FONT

- > Space-saving countertop font
- > Vacuum insulated tank for up to 70% more energy-efficiency
- > Dispense three volumes and three temperatures from one boiler

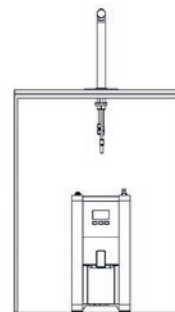
3B MIX FONT 1000879



DIMENSIONS



SYSTEM SET-UP



MIX UC3 1000880



OR

MIX UC8 1000887



FONT SPECS

NAME ORDER CODE	DIMENSIONS INCL. DRIP TRAY (D x W x H mm)	DIMENSIONS EXCL. DRIP TRAY (D x W x H mm)	TAP TO COUNTER (T mm)
3b MIX Font 1000879	168 x 120 x 287	138 x 30 x 287	247

BOILER SPECS

PRODUCT INFO NAME ORDER CODE	WATER TYPE		SIZE DIMENSIONS	PERFORMANCE SPECS			PLUMBING & ELECTRICAL REQS	
	MULTI-TEMP	ADJUSTABLE TEMP	DIMENSIONS (D x W x H mm)	IMMEDIATE DRAW OFF	L/HR	CUPS /HR	POWER @220v	PLUMBING REQS
MIX UC3 1000880	Y	Y	385 x 210 x 444	3L	28L	156	2.8kW	3/4" BSP
MIX UC8 1000887			385 x 210 x 617	8L				

PACKAGING

NAME ORDER CODE	PACKAGING DIMENSIONS (L x W x H mm)	PACKED WEIGHT	QTY / PALLET
3b MIX Font 1000879	290 x 570 x 215	2kg	30
MIX UC3 1000880	450 x 290 x 540	11kg	24
MIX UC8 1000887	450 x 290 x 700	14kg	18



HOT WATER

COUNTERTOP PUSH BUTTON



MIX COUNTERTOP HOT WATER - PUSH BUTTON

Programmable for on-demand and accurate water delivery in three separate temperatures and volumes.

- > 3 or 8 litre options
- > Up to 70% more energy-efficient
- > Removable drip tray
- > 28 litre output per hour
- > 156 cups (180ml) per hour

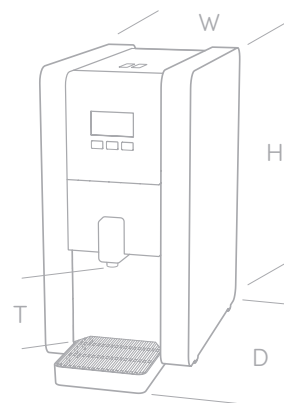
MIX PB3
1000870



MIX PB8
1000875



DIMENSIONS



SPECS

NAME ORDER CODE	POWER @ 230V	IMMEDIATE DRAW OFF	DIMENSIONS (D x W x H mm)	TAP TO COUNTER (T mm)	PLUMBING REQS
MIX PB3 1000870	2.8kW	3L	435 x 210 x 421	126	3/4" BSP
MIX PB8 1000875		8L	435 x 210 x 592	127	

PACKAGING

NAME ORDER CODE	PACKED WEIGHT	PACKAGING DIMENSIONS (L x W x H mm)	QTY / PALLET
MIX PB3 1000870	11kg	450 x 290 x 540	24
MIX PB8 1000875	14kg	450 x 290 x 700	18

HOT WATER COUNTERTOP TAP



MT COUNTERTOP HOT WATER

Energy-efficient & reliable countertop water boilers with sleek LED temperature display.

- > Insulated tank for minimal energy-loss
- > 4, 8, 25, 30L options
- > In-built filter option for 8L model
- > LED temperature display
- > Removeable drip tray
- > Dual Tap model for hot & ambient water

MT4
1000762



MT8
1000763



MT8F
1000763F

MTDT
1000764



MT25
1000765

MT30
1000766



SPECS

PACKAGING

NAME ORDER CODE	DIMENSIONS (D x W x H mm)	TAP TO DRIP TRAY (T mm)	TAP TO COUNTER (C mm)	IMMEDIATE DRAW OFF	L /HR	CUPS /HR	POWER REQS	PLUMBING REQS	PACKED WEIGHT	PACKAGING DIMENSIONS (L x W x H mm)	QTY / PALLET
MT4 1000762	436 x 202 x 464	238	259	4L	28L	156	2.8kW @200V	3/4" BSP	11kg	505 x 260 x 550	24
MT8 1000763	436 x 202 x 589			8L					9.5kg	510 x 260 x 655	
MT8F 1000763F				8L (hot)	28L (hot)	156 (hot)			9.5kg		
MTDT 1000764				25L	28L	156	2.8kW @230V				
MT25 1000765	270 x 270 x 690			30L	56L	311	5.6kW @230V		21kg	320 x 330 x 750	10

FILTER SPECS (1000763F ONLY)

NAME ORDER CODE	INITIAL FLOW VELOCITY	BLACK WATER	RESIDUAL CHLORINE REMOVAL	REMOVAL RATE OF TURBIDITY	COD REMOVAL RATE	SCALE INHIBITING RATIO	LIFETIME CAPACITY
MT8F Filter 8000781	≥3L/min	No visible black water	≥80%	≥30%	25%	≥50%	7200L

ASSOCIATED PRODUCT (SOLD SEPARATELY)

Hands-Free Urn Tap Adapter
2100500



OPTIONAL

ECOBOILER COUNTERTOP HOT WATER - TAP

Tap boilers in a range of volumes for catering locations such as cafés, hotels, restaurants and canteens.

- > 5, 10, 20 or 30 litre options
- > Easy to descale
- > Removeable drip tray
- > Made from 95% recyclable materials
- > Energy-efficient with precise temperature

ECOBOILER T5
1000660



ECOBOILER T10
1000661



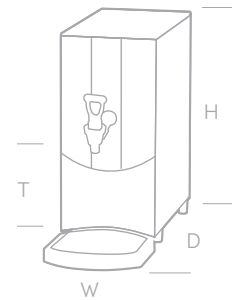
ECOBOILER T20
1000662



ECOBOILER T30
1000663



DIMENSIONS



SEE TABLE FOR
PRODUCT DIMENSIONS

SPECS

NAME ORDER CODE	POWER @ 230V	IMMEDIATE DRAW OFF	L/HR	CUPS (180ml)/HR	DIMENSIONS (D x W x H mm)	TAP TO COUNTER (T mm)	PLUMBING REQS
EcoBoiler T5 1000660	2.8kW	5L	28L	156	515 x 210 x 465	185	3/4" BSP
EcoBoiler T10 1000661		10L			463 x 210 x 590		
EcoBoiler T20 1000662		20L			570 x 240 x 690		
EcoBoiler T30 1000663	5.6kW	30L	56L	311	570 x 300 x 690		

PACKAGING

NAME ORDER CODE	PACKED WEIGHT	PACKAGING DIMENSIONS (L x W x H mm)	QTY / PALLET
EcoBoiler T5 1000660	10kg	290 x 550 x 555	18
EcoBoiler T10 1000661	12.5kg	290 x 680 x 550	
EcoBoiler T20 1000662	19kg	600 x 350 x 840	10
EcoBoiler T30 1000663	22kg	600 x 380 x 840	

ASSOCIATED PRODUCT
(SOLD SEPARATELY)



OPTIONAL

Hands-Free Urn Tap Adapter
2100500

COFFEE



BRU

Energy-efficient and easy to use small batch brewers for canteens, coffee shops, businesses or conferences.

- > 1.8 jug or 2.2 litre flask options
 - > Manual fill batch brewer
- > Improved sprayhead performance
 - > Simple set up, service and refurb

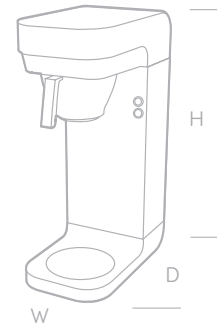
BRU F45M
1000900



BRU F60M
1000902



DIMENSIONS



SEE TABLE FOR
PRODUCT DIMENSIONS

SPECS

PRODUCT INFO	PERFORMANCE SPECS		SIZE	PACKAGING		
NAME ORDER CODE	POWER @ 230V	BREW CAPACITY	DIMENSIONS (D x W x H mm)	PACKED WEIGHT	PACKAGING DIMENSIONS (L x W x H mm)	QTY / PALLET
F45M Jug Manual Fill 1000900	2.4kW	1.8L	365 x 214 x 446	8kg	600 x 250 x 507	24
F60M Flask Manual Fill 1000902	2.2kW	2.2L	365 x 214 x 598	9kg	420 x 250 x 657	20

ASSOCIATED PRODUCTS (SOLD SEPARATELY)

AIRPOT 2.2L
1700179



REQUIRED
FOR BRU
F60M

**BRU FILTER PAPERS -
CASE OF 1000**
8000200



JET

Precise, programmable batch brewer for higher volume requirements.

- > Single (6 litre) or Twin (12 litre) options
- > Pre-set recipe and volume options
- > Basket safety lock during brewing
- > Operator friendly and easy-to-use
- > Vacuum insulated urn for energy-efficiency and temperature retention
- > Two power options

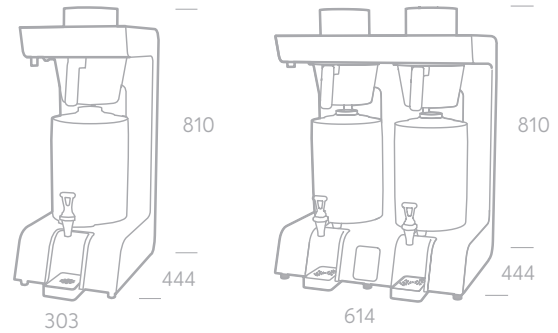
JET 6 2.8KW 1000851
JET 6 5.6KW 1000850



JET TWIN
1000855



DIMENSIONS



SPECS

PRODUCT INFO	PERFORMANCE SPECS	SIZE	PLUMBING & ELECTRICAL REQ'S		PACKAGING		
NAME ORDER CODE	FULL BREW	DIMENSIONS (D x W x H mm)	POWER @ 230V	PLUMBING REQ'S	PACKED WEIGHT	PACKAGING DIMENSIONS (L x W x H mm)	QTY / PALLET
Jet 6 2.8kW 1000851	6L	462 x 303 x 840	2.8kW	3/4" BSP	24kg	500 x 400 x 900	6
Jet 6 5.6kW 1000850			5.6kW				
Jet Twin 1000855	6L (per urn)	462 x 614 x 837			28kg	500 x 710 x 920	2

ASSOCIATED PRODUCTS & ACCESSORIES (SOLD SEPARATELY)

JET URN
1700204



REQUIRED

JET GRINDER
1000891



OPTIONAL

HANDS-FREE URN TAP ADAPTER
2100500



PRODUCT INFO		SIZE	PACKAGING			
NAME	ORDER CODE	DIMENSIONS (D x W x H mm)	PACKED WEIGHT	PACKAGING DIMENSIONS (L x W x H mm)	QTY / PALLET	
Jet Grinder	1000891	370 x 188 x 559	25kg	580 x 300 x 800	12	
Jet Urn	1700204	420 x 245 x 570	7kg	640 x 310 x 440	16	
Hands-Free Urn Tap Adapter	2100500	—	—	—	—	
Jet Filter Papers - Case of 500	8000151	—	—	—	—	

SP9

Single-serve undercounter precision brewer.

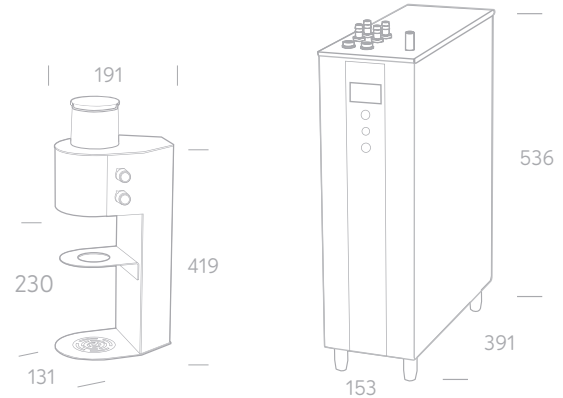
SP9 HEAD 1000830



SP9 BOILER 1000831



DIMENSIONS



SPECS

NAME ORDER CODE	POWER @ 230V	IMMEDIATE DRAW OFF	CUPS (180ml) PER HOUR	HEAD DIMENSIONS (D x W x H mm)	UNDERCOUNTER BOILER DIMENSIONS (D x W x H mm)	TAP TO COUNTER (mm)	PLUMBING REQS
SP9 Single 1000832	2.4kW	4L	25	191 x 131 x 420	395 x 155 x 565	230	3/4" BSP
SP9 Single (White) 1000832(W)							
SP9 Twin 1000833			50	191 x 131 x 420 (per head)			
SP9 Twin (White) 1000833(W)							

PACKAGING

NAME ORDER CODE	PACKED WEIGHT	PACKAGING DIMENSIONS (L x W x H mm)	QTY / PALLET
SP9 Single 1000832	4.5kg (head) + 14.1kg (boiler) Total: 18.6kg (2 boxes)	585 x 290 x 216 (head) 510 x 270 x 715 (boiler)	12
SP9 Single (White) 1000832(W)			
SP9 Twin 1000833	4.5kg (per head) + 14.1kg (boiler) Total: 23kg (3 boxes)	585 x 290 x 216 (head x2) 510 x 270 x 715 (boiler)	
SP9 Twin (White) 1000833(W)			

GOOD TO KNOW

SP9 Single / SP9 Single White [1000832 / 1000832(W)] is packed and shipped in two boxes.
 SP9 Twin / SP9 Twin White [1000833 / 1000833(W)] is packed and shipped in three boxes.

WE CARE ABOUT OUR CUSTOMERS

Contact us for any advice you require – we're here to help

Phone	(01) 295 2674
Web	www.marcobeveragesystems.com

Sales	sales@marco.ie
Spares	spares@marco.ie
Tech Support	techsupport@marco.ie
Accounts	accountspayable@marco.ie
Customer Care	customer.care@marco.ie

For more product info, FAQs and troubleshooting tips visit our website: [**www.marcobeveragesystems.com**](http://www.marcobeveragesystems.com)





